

# ASSEMBLY INSTRUCTION

TR-001

COBANA TROLLEY

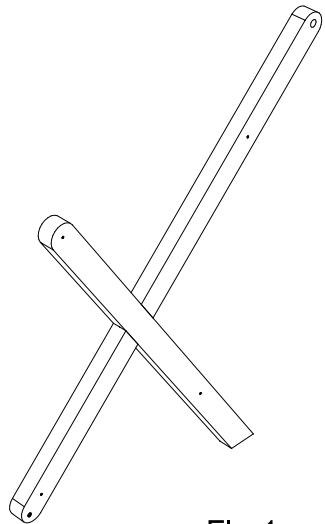


Fig 1

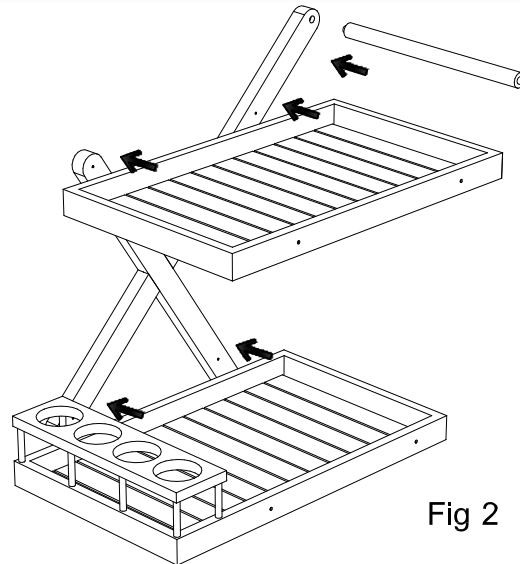


Fig 2

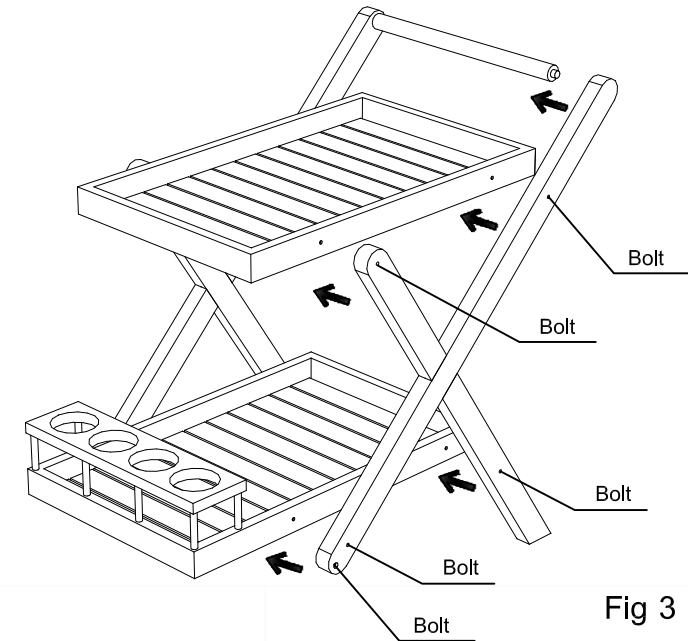


Fig 3

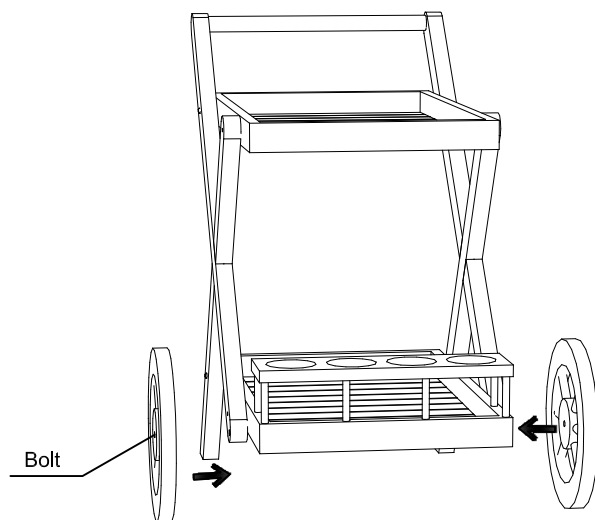


Fig 4

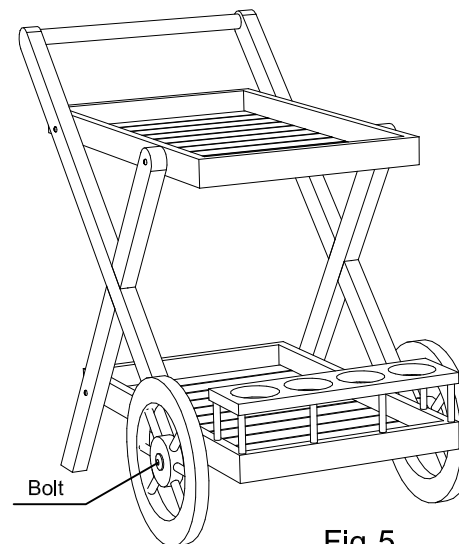


Fig 5

Parts : 2 pcs legs, 1 pc top shelve, 1 pc bottom shelve, 1 pc top support, 2 pcs wheels

Hardware packs :  
Bolt for legs and wheels

Tools requirement :  
Screw driver (not supplied)

Assembling :

1. Prepare the leg (Fig. 1)
2. Put some glue into the top support mortise.
3. Insert the top support, the top shelve and the bottom shelve into leg, then insert the bolt into hole of leg with the screw driver (Fig. 2)
4. insert the other leg and insert the bolt into hole of leg with the screw driver(Fig. 3)
5. insert the wheel into the leg and insert the bolt into hole of the leg with the screw driver (Fig. 4)
6. Finish assembly
7. Clean the overflow glue using damp cloth while glue is still wet.